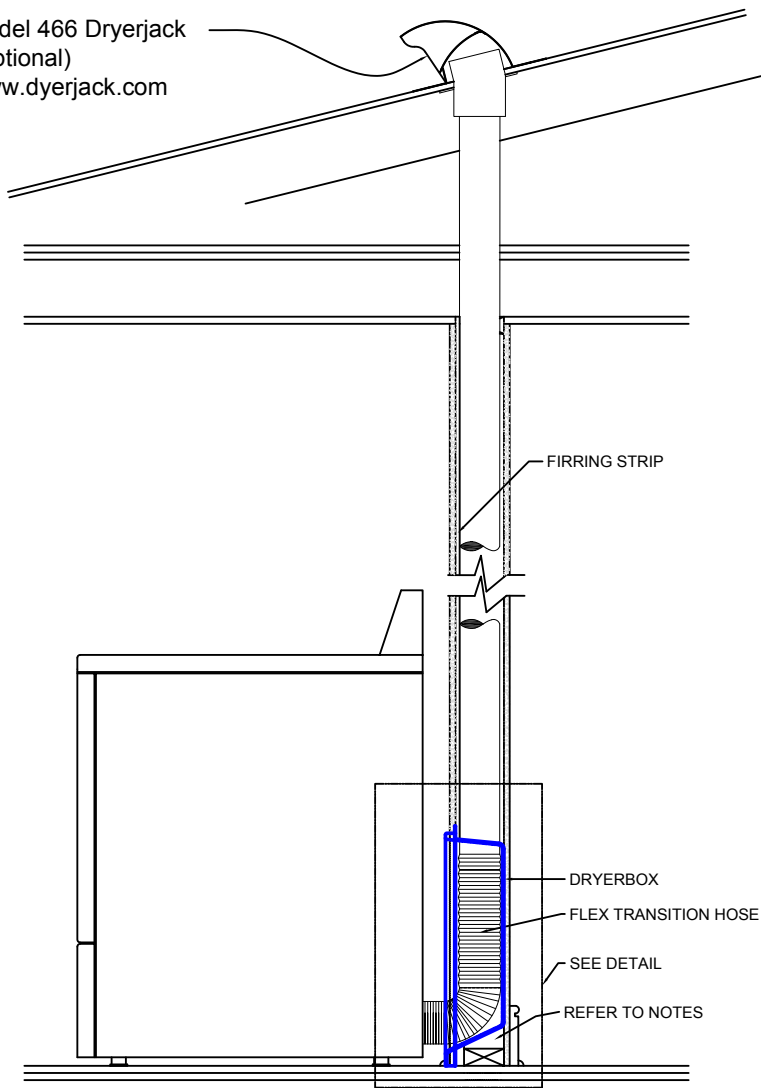


Model 466 Dryerjack  
(Optional)  
www.dyerjack.com

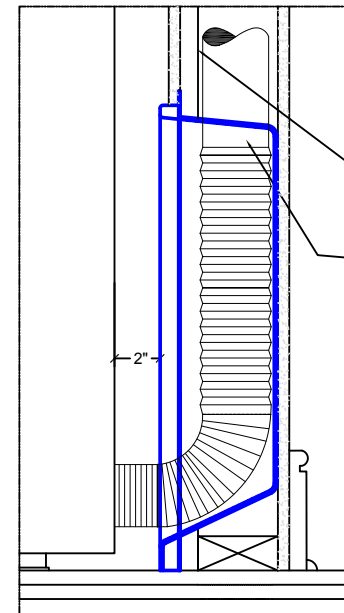


## DRYERBOX INSTALLATION

DRYER VENTING: MECHANICAL CONTRACTOR SHALL BE RESPONSIBLE FOR RUNNING ALL DUCTWORK FOR THE DRYER EXHAUST SYSTEM. ALL CONCEALED DRYER DUCTING MUST BE RIGID METAL (GALVANIZED OR ALUMINUM) MINIMUM OF 4" IN DIAMETER, SMOOTH 30 GA. CLEAN, UNOBSTRUCTED, FRICTIONLESS DUCTS (NO FLEXIBLE DUCT ALLOWED IN CONCEALED AREAS). SEAL ALL JOINTS WITH FOIL BACKED PRESSURE SENSITIVE DUCT TAPE MEETING THE REQUIREMENTS OF UL 181. DUCT JOINTS SHALL BE INSTALLED SO THAT THE MALE END OF THE DUCT POINTS IN THE DIRECTION OF THE AIRFLOW. DO NOT USE RIVETS OR SCREWS IN THE JOINTS OR ANYWHERE ELSE IN THE DUCT AS THESE WILL ENCOURAGE LINT COLLECTION.

DRYERBOX® RECEPTACLE (WWW.DRYERBOX.COM) SHALL BE METAL AND BE INSTALLED AS LOW AS POSSIBLE AS TO PERMIT THE PROPER AND SAFE COLLECTION OF THE DRYER TRANSITION HOSE. DRYERBOX SHOULD BE RESTING ON THE BOTTOM PLATE AND BE LOCATED AT OR NEAR THE CENTERLINE OF THE PROPOSED DRYER APPLIANCE. RIGID DUCT SHOULD PENETRATE DRYERBOX PORT 2 INCHES TO PROVIDE FOR FUTURE CONNECTION AND STORAGE OF TRANSITION HOSE. BASEBOARD SHALL BE "BUTTED" UP TO THE FIXED EXTENSION RIM AND SLIGHTLY BACK-CUT. DRYERBOX SHOULD BE CAULKED AND THEN PAINTED WITH THE TRIM PAINT. FOR USAGE IN A ONE-HOUR WALL ASSEMBLY, UL REQUIRES THAT BATT INSULATION BE STUFFED AROUND THE DRYERBOX AND IN THE ENTIRE WALL CAVITY CELL.

LENGTH OF CONCEALED RIGID METAL DUCTING SHALL NOT EXCEED 25 FEET. DEDUCT 5 FEET FROM THE ALLOWABLE LENGTH FOR EVERY 3.5" RADIUS 90 DEGREE ELBOW AND TWO AND A HALF FEET FOR EVERY 45 DEGREE FITTING. DRYER VENTING SHALL BE INDEPENDENT OF ANY OTHER SYSTEMS (CHIMNEYS OR EXHAUST VENTS). TERMINATION OF DRYER VENTING MUST BE TO THE EXTERIOR WITH A PROPER HOOD OR ROOF JACK EQUIPPED WITH A BACK-DRAFT DAMPER. SMALL ORIFICE METAL SCREENING SHOULD NOT BE PART OF THE HOOD OR ROOF JACK AS THIS WILL ACCELERATE LINT ACCUMULATION AND BLOCKAGE. THE HOOD OPENING SHOULD POINT DOWN AND EXHIBIT 12 INCHES OF CLEARANCE BETWEEN THE BOTTOM OF THE HOOD AND THE GROUND OR OTHER OBSTRUCTION. VERIFY MANUFACTURER'S RECOMMENDATIONS FOR ANY OTHER FACTORS.



## DRYERBOX DETAIL

SCALE 1 1/2" = 1'-0"



FIRESTOP DEVICE  
FOR USE IN THROUGH-PENETRATION FIRESTOP SYSTEMS  
SEE UL FIRE RESISTANCE DIRECTORY  
(Control No. 25XC) ONE HOUR F RATING

MANUFACTURED BY:  
In-O-Vate Technologies, Inc.  
810 Saturn Street, Suite 21  
Jupiter, FL 33477 USA  
(888) 443.7937  
www.dryerbox.com

US Patent No. :  
5,476,183 and 6,419,102 and 7,7341,045

PRODUCT  
DRYERBOX MODEL 425

INSTALLATION  
DETAILS FOR 4" STUD WALL

MATERIAL  
22GA. ALUMINIZED STEEL 0.018

SCALE  
3/4" = 1'-0"

DATE  
Nov 2012