

Roof Vent - Exhaust Roof Cap, Dryer Vent

Model No.	Description	Color
RCDV	vent w/ flapper no grid	Black
RCDVT	vent w/ flapper, no grid, collar	Black

Performance Data

for plastic exhaust roof caps

Hood

- Specially blended Polypropylene, black
- Melting point: 325° F
- UV Inhibitor & durability enhancers added

Operating Temperature Range

- -40°F - 130°F+

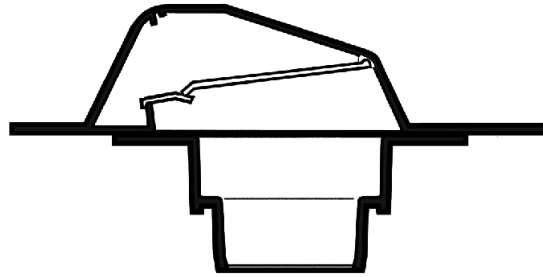
CSA Listed

General Information

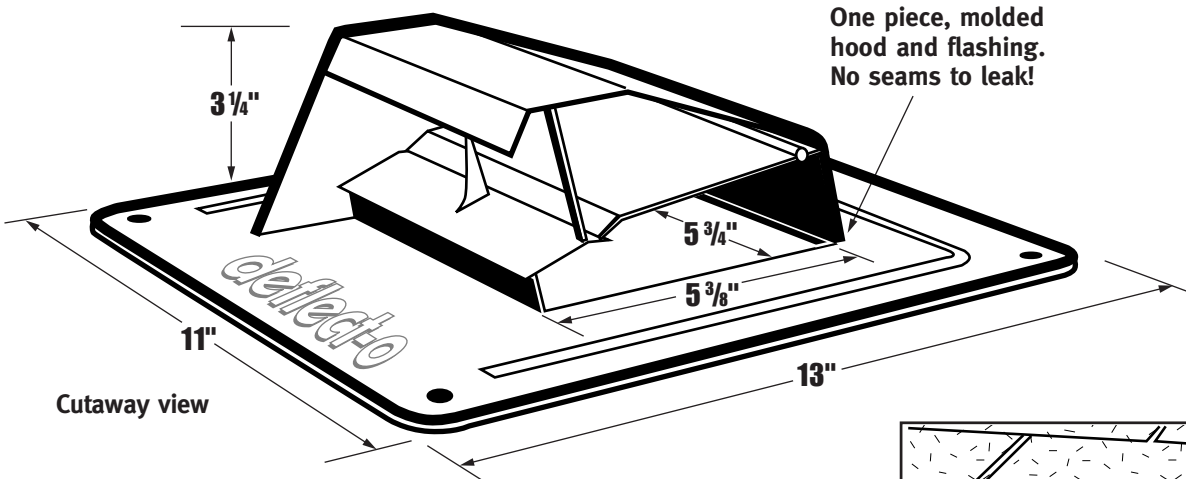
- low profile design
- model RCDVT has a easy-cut tailpiece to change the 4" diameter opening to a 5" diameter opening
- durable weather resistant



RCDV - Roof Cap
side view (cutaway)



RCDVT - Roof Cap
w/ 4" - 5" tailpiece
side view (cutaway)



One piece, molded hood and flashing. No seams to leak!

Cutaway view

Low profile design

